



By appointment to The Royal Danish Court

**morsø**



— 160 YEARS —  
*of special moments*



For more than 160 years, Morsø has spread warmth through our homes, creating special moments of pure happiness, closeness, peace of mind. And comfort.

## A CHOICE FOR LIFE

When you eventually put this literature down, the likelihood is you'll be sold. You'll have fallen for Morsø's timeless look. You'll have fallen in love with cast iron's unique properties. And you'll be convinced of our stoves' obvious advantages for the environment.

But believe us – when you describe your relationship with your Morsø in the future, it won't be the design, the cast iron or the stove's green-friendly impact which will fuel your fondness. By then, your stove will have already become one of the most-loved items of furniture in your home. A trusty source of comfort, you will love it for its sound, look and warmth. And for the glow of happiness it has spread throughout the house year after year.

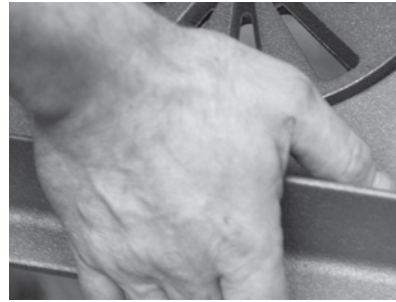
To choose a Morsø is, in other words, to make a choice for life.



By appointment to The Royal Danish Court

**morsø**

# A LONG HISTORY - TOLD IN PICTURES



# CONTENTS

3	A choice for life
4	The Morsø History
6	The 8100 series
8	The 7900 series
10	The 7800 series
12	The 7600 series
14	The 7400 series
16	The 7300 series
18	The 6100 series
20	5660
21	5448
22	The 7100 series
24	3640
25	3440
26	3142
27	The 2100 series
28	1630
29	1126
30	The 1400 series
32	The 2B series
34	Steel stoves
36	S10 series
38	S11 series
39	S50-40
40	S80-90
41	S81
42	Pellet stoves
44	P30 & P31
45	P50 & P51
46	Technical data
58	Accessories
60	Morsø Living

Morsø reserves the right to change specification without prior notice. This brochure does not replace the installation manual which provides more detailed information.



8143



8140



8142



8148



The **Morsø 8100-series** has a clean and simple design, where the combination of soft, rounded contours and simple details give the stove a light and timeless look. This guarantees you a classically beautiful stove that will last for decades, while the cast iron's raw and living structure will provide both a rustic and exclusive tone.

Heats up 45 - 120 m<sup>2</sup>

8150



wall mounted - 8170



With the **7900 series**, Morso has worked with the designer Monica Ritterband to develop and create a new series of cast iron wood-burners, whose functionality and design suit any home - and of course with quality as the key. The 7900 series is an innovative design based on a modular system, that makes it possible to customise each wood-burning stove to suit individual needs, both in terms of design and functionality.

Heats up 45 - 120 m<sup>2</sup>



7940



plain base - 7943



with open base - 7943



7948



wall mounted - 7970



7900-series



with drawer - 7943

plain base or drawer - 7990



with open base - 7990



with low top - 7990



with high top - 7990





with drawer - 7840



7840



with plain base or drawer - 7843



with open base - 7843



7848



wall mounted - 7870

**Morsø 7800** is a modular stove series with clean and simple lines where the combination of simplicity and a well-proportioned design give the stove a classic and timeless expression.

The 7800 series among other things is characterised by a large fire chamber with an unusual high capacity. The new self-closing locking mechanism is extremely convenience and user friendly. The sleek design of the 7800 differentiates itself from the 7900 series by utilising cast iron in preference to the glass side panels.

A glass hearth pad has been designed especially for use with the 7800 series, shaped to fit around the front of the wood burning stove permitting easy removal for cleaning. However the glass hearth pad can not be used in conjunction with Morsø 7848.

Heats up 45 - 120 m<sup>2</sup>

with plain base or drawer - 7890



with open base - 7890



with low top - 7890



with high top - 7890





with drawer - 7642



7644



7648



wall mounted - 7650



7690



**Morsø 7600-series** was designed by Monica Ritterband, currently one of Denmark's most sought-after designers. Monica Ritterband is known for her pioneering designs, which all take their starting point in her unique universes and totally special, organic language of form and lines. Thus, the Morsø 7600 was also created in this way – it is completely unique with its circular form, round feminine transitions and its huge glass window, the biggest in Morsø's history of stoves.



7440



with drawer - 7442



7443



7448



wall mounted - 7470



with open base - 7443

**Morso 7400-series** takes the best qualities of modern wood burning stoves and uses them to give the consumer a modern take on a classic design.

At the same time the series celebrates Morso's 160th anniversary and, for the first time presents the newly redesigned "Squirrel" motif. This motif decorates the matt black side of the stove and emphasizes the quality finish whilst celebrating our 160 year history as the leading manufacturer of high quality wood burning stoves.



7340



with drawer - 7342



7343



7348



wall mounted - 7370





**The Morsø 7300 series** invites the homeowner to choose a style for the room.

If the woodpile is to create an atmosphere, choose a model with a wood magazine, which allows the light wood to be visibly on display through a glass screen. If, instead, the style is one of discreet charm, choose a model with a drawer, which elegantly slides in to form part of the stove's black look



with drawer - 6143

# 6100-series



6140



with open base - 6143



6148



wall mounted - 6170



with open base - 6190

**The Morsø 6100-series** fans the flames. The stove's unique combustion system helps ensure a higher temperature in the combustion chamber, which means it burns off the flue gases. This provides you with a cleaner and more environmentally-friendly combustion and a higher level of efficiency, guaranteeing you good fuel economy. Furthermore, the elegantly designed glass door and hidden mountings provide a good view of the fire and flames. The 6100-series are 80.1% net efficient with almost no smoke emissions. Optional outside air kits are available for both models. Both models are approved by Defra to burn wood in smoke controlled areas.

Heats up 45 - 90 m<sup>2</sup>



with glass front - 5660



without glass front - 5660

**The Morsø 5660** is an advanced fireplace insert, which fully lives up to our craftsmanship traditions. The design is strict, modern and stylish, while the cast iron's raw and living structure gives the insert a rustic tone. Our innovative insert has an advanced combustion system supplied with tertiary air, enabling the stove to comply with the strictest, modern requirements for environmentally-conscious heating. The fireplace has an extra large combustion chamber which can accommodate logs of up to 50 cm – for those cold winter evenings. An optional outside air kit is available for this stove.

Heats up 60 - 120 m<sup>2</sup>



5448

**The Morsø 5400-series** takes its inspiration from the heavy machines in our old factories, melded with a modern form idiom with clean lines and a large glass area. All in all, we have linked it back to the old Morsø tradition, through historical details from old classic stoves. The result is a new stove in cast iron, which provides a bridge in pure design between tradition and innovation.

Heats up 45 - 120 m<sup>2</sup>



7110



7140



7100-series

A Modern Interpretation of Classic American Design. **The Morsø 7100-series**, designed specifically to meet the needs of the North American markets offers classic design elements with a modern presentation. The single door approach incorporates a large 'air-washed' window for a fantastic, unobstructed view of the fire. Perfect for medium sized living spaces the Morsø 7110 features an external ash pan for clean and convenient ash removal, a reversible flue collar for flexible installation and rear and bottom heat shields come fitted as standard. The beautifully crafted side castings feature an ancient Viking Symbol, The St Johannes Shield.

3640



3640

**The Morsø 3600** radiant stove is a large, well designed heat source perfect when you need to heat a large area. This cast iron stove was designed by the well known english design company Studio Levien. The stove is not only an optimal design, but will take an extra large log up to 55 cm. The stove has an additional side door for convenient loading. A classic Morsø design this cast iron beast will watch over your home like a tame dragon. An optional outside air kit is available for this model.

Heats up 90 - 210 m<sup>2</sup>





with squirrel - 3440



We designed **the Morsø 3440** stove together with the well-known, English design company, Queensbury Hunt Levien, retaining the classic Morsø lines and stylish look, while also integrating an advanced combustion system. The wide door with large stove glass provides a wonderful view of the flames, helping create both mood and heat in the home. The 3400-series comprises three stoves: A 3410 radiant with owl motif, a 3420 radiant with ribbed sides and the 3440 convector with plain sides.

Heats up 60 - 135 m<sup>2</sup>

3142



3142

**Morsø 3100-series** Following a thorough, technical upgrade and a face lift, the stove stands out with a contemporary, elegant look and meets all the latest combustion principles. With the Morsø 3100 we are continuing all the best points from the classic Morsø stoves. The stoves are equipped with state-of-the-art tertiary combustion system and the large glass panel provides beautiful unobstructed viewing. The radiant model has fine ribbed sides and the convector model has plain sides. An optional outside air kit is also available for both models. Both models are approved by Defra to burn wood in smoke controlled areas..

Heats up 45 - 120 m<sup>2</sup>



2140



2110

**Morsø 2100-series** Nostalgic look, glowing with English charm. The cast-iron stove, which is very spacious and effective, was the creation of the English designers, Queensbury Hunt. Together with the English designers, we have created a powerful stove, which is a true representative of the proud Morsø tradition. The Morsø 2100-series has an extra wide combustion chamber, allowing the use of large-sized fuel. At the same time, the width of the doors facilitate large glass windows, allowing you to gaze at the slow crackling fire.

1630



1630

**Morsø 1630** has a completely traditional stove style, with its fine large door with curved glass, helping to emphasise the cosiness and create a romantic look. The stove was designed at Morsø in 1985 and has always been one of the more popular styles. The 1630 has a nostalgic look with added charm, making it ideal for older homes or country homes. Two models are available: one dry and one drilled to take on optional 34.000 BTU boiler.

Heats up 60 - 150 m<sup>2</sup>



1126

**Morso 1126** is a further development of the popular classic 1124, which was designed by architect Fister Bang from Nykøbing Mors, Denmark. A popular classic, now equipped with a cool handle and a soot-free glass door. Model 1126 has a high heat output and is one of Morso's largest convection stoves. The stove is supplied with riddling grate, ash tray and ashpan for easy ash removal.

Heats up 60 - 150 m<sup>2</sup>



1442 - with rib sides

# 1400-series



1412



1416



1446



1452



**Morsø 1400-series** A steady beating heart. The Morsø 1400 is the quintessence of a charming stove. It represents what was the heart of many a home, what we know and remember from our childhood. The combustion technology of these classic stoves have since then been further developed and improved so that harmful particles and surplus gasses are burnt off. That's why, today, the stoves fulfil the strictest environmental requirements and also bear the Nordic Swan Eco-label. Despite all improvements in technology there are some details which remind timeless and a sign of quality, so Morsø's characteristic squirrel can still be found on the sides. It also available with contemporary ribbed sides.

Heats up 45 - 75 m<sup>2</sup>



2B Classic





2B Standard

Morsø 2B classic No past – no future. At the beginning of the 1930s, the sculptor, Constantin Sørensen, created this impressive radiant stove, featuring Morsø's well-known decoration of squirrel and oak leaves. Then, as today, the 2B Classic is in great demand, and with its almost stately appearance, the stove is perfect for patrician and farm style homes. The stove's special feature is its combustion chamber, which can accommodate extra long fuel measuring up to 45 cm. We have completely updated the combustion technology in the Morsø 2B Classic, so that it now meets today's stringent environmental requirements. There's almost no better way to have a fire than with the Morsø 2B Classic.

Heats up 2B Standard: 45 - 90 m<sup>2</sup>  
Heats up 2B Classic: 90 - 150 m<sup>2</sup>



By appointment to The Royal Danish Court

**morsø**

# STEEL STOVES





S10-45



Wall mounted - S10-70



S10-40

**A new original**

At Morsø, our philosophy is to create the optimum combination of design, quality and materials. The Morsø S range is a convincing example of this. We have developed a range of quality, steel wood-burning stoves with a focus on design. The style is light, elegant and very Scandinavian in expression. And to preserve a touch of our "roots", the new stoves also contain an element of cast iron.

# S 11 - series



S11-43



wall mounted - S11-70



S11-90

The Morsø S 11 range is the epitome of simple, timeless design. When designing the stove, we attached a great deal of importance to creating an expression with exciting contrasts. Tight lines and soft curves.

Heats up 30 - 75 m<sup>2</sup>



S50-40

The **Morsø S 50** is presented as an elegant and well-proportioned piece of furniture to dress any home. The slanting door gives the stove character and also accentuates the beautiful and generously-designed glass front.

Heats up 90 - 150 m<sup>2</sup>

S80-90 insert



**The Morso S 80-90** is designed as a picture. In the words of the designer: A simple and distinctive picture frame, which elegantly and stylishly encloses the orange flames. When we created this stove, one of our basic ideas was that the glass door be perceived as a floating surface that accentuates the lightness of the design. The stove was inspired by a modern flatscreen TV, which, with its slim design and light expression, creates the illusion of a beautiful picture hanging on the wall.

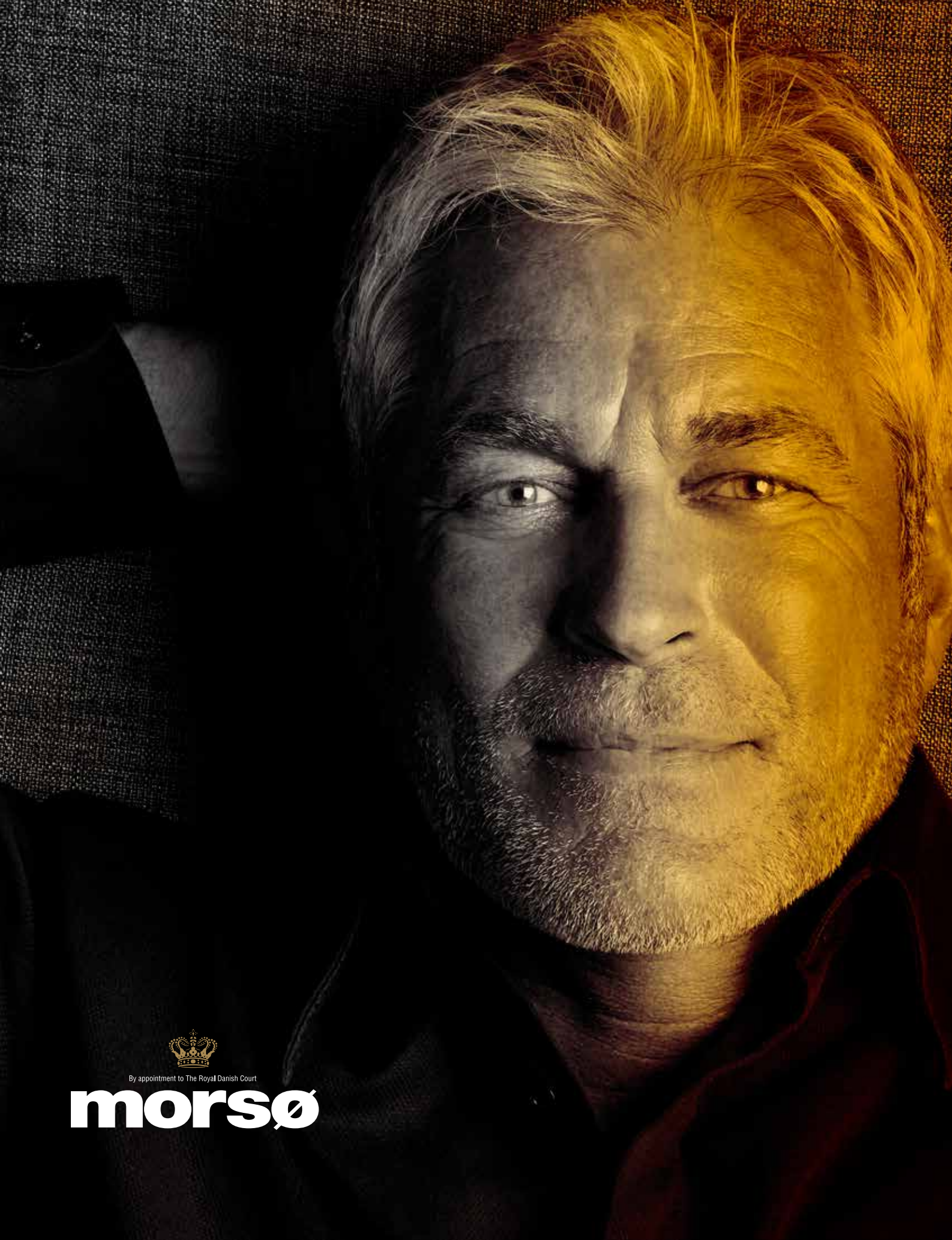
Heats up 75 - 135 m<sup>2</sup>





S81 - insert

**The Morsø S81** is a compact steel stove combined with a quality cast iron door you have come to expect from Morsø. This beautiful 4kW insert is perfect for smaller rooms and looks great either hearth or wall mounted. With its three and four-sided trim options in dark grey or brushed steel this 88% net efficient stove will suit any home."



By appointment to The Royal Danish Court

**morsø**

# PELLET STOVES



P30 / P31



P31



P30

Morsø has worked with one of the world's largest pellet stove producers to create the **MORSØ P30 / P31** pellet stove, which is the first branch on the Morsø pellet stove trunk. As a completely new departure in the pellet stove market, the Morsø P30 / P31 has been designed to match Scandinavian interiors.

Heats up 35 - 120 m<sup>2</sup>



P51



P50

The new pellet stoves **P50 and P51** are based on the virtues of the classic Woodburning stove. The sides are made from cast Iron, a material that remains the best when it comes to emitting heat into a room.

At the same time, the ribbed and gently curved shape takes its shape from the classic Morso stoves that have for centuries set the standards for wood burning stoves and even longer for traditional heating stoves.

Heats up 35 - 120 m<sup>2</sup>



By appointment to The Royal Danish Court

**morsø**

# TECHNICAL DATA



# CHOOSING THE RIGHT STOVE FOR YOU

The Morsø range is extensive and comprises of stoves to cover a whole variety of needs. So, despite the fact that the natural thing to do is let taste and appeal decide, start by looking at the various models' and designs. We recommend you consider a few points first.

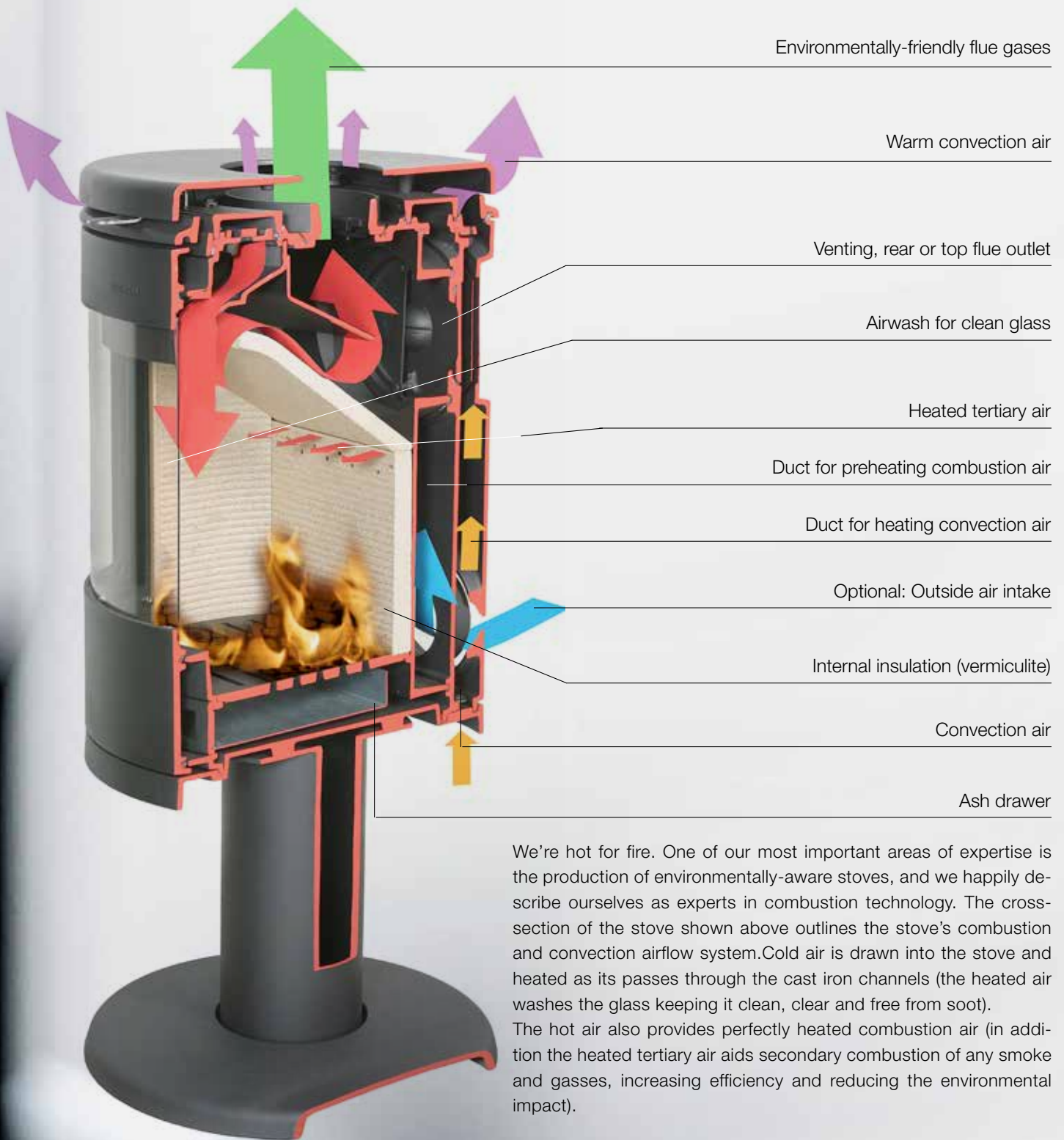
## **Radiant or convection stove?**

There are two different types of stove: radiant stoves and convection stoves. The radiant stove concentrates the heat around the stove itself, while the convection stove quickly distributes the heat out into the whole room. The type you choose will therefore greatly depend on what you want your stove to do. If you want cosiness and warmth close to the stove, the radiant stove is a good choice. If, on the other hand, the stove is also to play an effective role in heating your home as a primary heat source, you should choose a convection stove.

## **What size?**

The size of your stove is decisive for getting full pleasure of your investment. In this respect, too large can cause problems just as too small can. A stove that's too small will not be able to heat the room adequately. However, if you buy a stove that's too big in relation to the room, you will be forever cutting the air supply to keep the room temperature down. As a result, combustion will be incomplete and soot will quickly build up on the window and in the chimney. Not only that, the quantity of soot particles you emit into the environment will be disproportionately high.





We're hot for fire. One of our most important areas of expertise is the production of environmentally-aware stoves, and we happily describe ourselves as experts in combustion technology. The cross-section of the stove shown above outlines the stove's combustion and convection airflow system. Cold air is drawn into the stove and heated as its passes through the cast iron channels (the heated air washes the glass keeping it clean, clear and free from soot). The hot air also provides perfectly heated combustion air (in addition the heated tertiary air aids secondary combustion of any smoke and gasses, increasing efficiency and reducing the environmental impact).

# 8100-SERIES

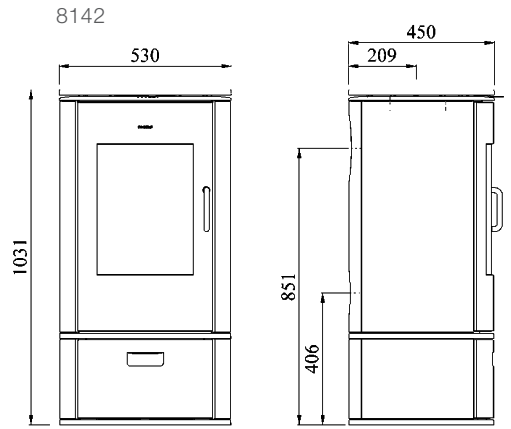


Rated output . . . . . 6,5 kW  
 Heat output range . . . . . 3-9 kW  
 Heats up . . . . . 45-120 m<sup>2</sup>  
 Chamber size . . . . . 35 cm  
 Flue exit top/rear fits to . . . . . Ø150 mm  
 Weight . . . . . 152-247 kg  
 Efficiency : . . . . . 80,8%

**Clearance to Combustibles**

Sides . . . . . 500 mm  
 Rear . . . . . 150 mm

The stove is fitted with outside air kit for rear flue exit



Height:

8140 - 869 mm / 8142 -1031 mm / 8148-1119 mm / 8150-1042 mm

# 7900-SERIES

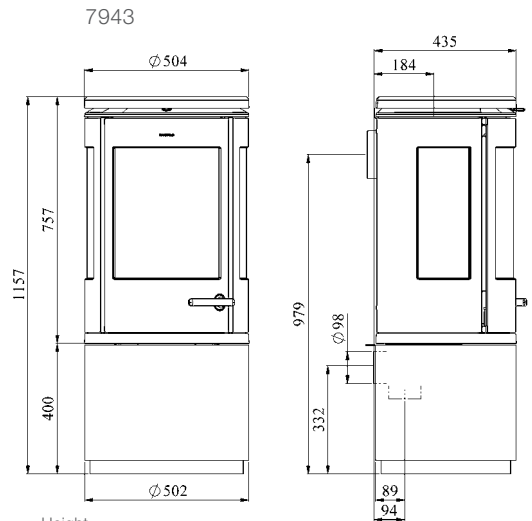


Rated output . . . . . 7,3 kW  
 Heat output range . . . . . 3-8 kW  
 Heats up . . . . . 45-120 m<sup>2</sup>  
 Chamber size . . . . . 36 cm  
 Flue exit top/rear fits to . . . . . Ø150 mm  
 Weight . . . . . 152-189 kg  
 Efficiency : . . . . . 79%

**Clearance to Combustibles**

Sides . . . . . 700 mm  
 Rear . . . . . 125 mm

Prepared for outside air kit for rear and bottom flue exit



Height:

7940 - 1032 mm / 7943 -1157 mm / 7948 -1157 mm /  
 7970 - 757 mm / 7990 - 1357 mm

# 7800-SERIES

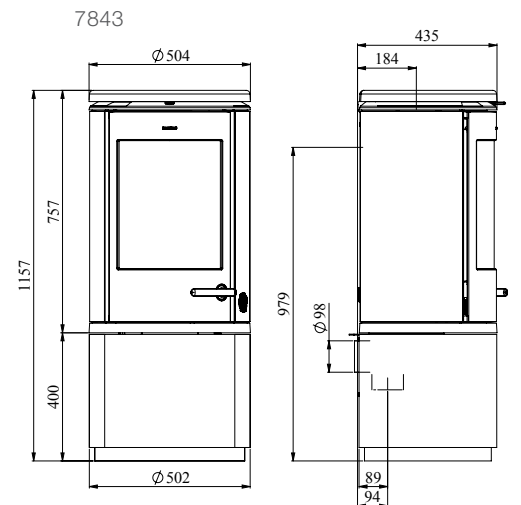


Rated output . . . . . 7,3 kW  
 Heat output range . . . . . 3-9 kW  
 Heats up . . . . . 45-120 m<sup>2</sup>  
 Chamber size . . . . . 36 cm  
 Flue exit top/rear fits to . . . . . Ø150 mm  
 Weight . . . . . 154-189 kg  
 Efficiency : . . . . . 79%

**Clearance to Combustibles**

Sides . . . . . 400 mm  
 Rear . . . . . 125 mm

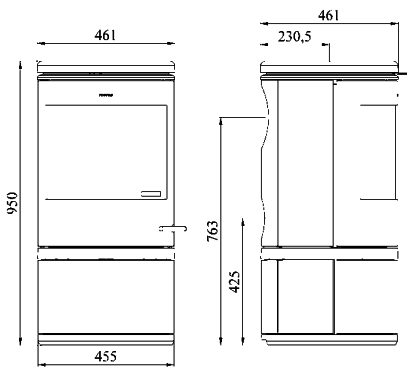
Prepared for outside air kit for rear and bottom flue exit



Height:

7840 - 1032 mm / 7843 -1157 mm / 7848 -1157 mm /  
 7870 - 757 mm / 7890 - 1357 mm

7642



Height:  
7642-950 mm / 7644-1035 mm / 7648-1012 mm / 7650-972 mm  
7690-1150 mm

Rated output . . . . . 6,2 kW  
Heat output range . . . . . 3-8 kW  
Heats up . . . . . 45-120 m<sup>2</sup>  
Chamber size . . . . . 33 cm  
Flue exit top/rear fits to . . . . . Ø150 mm  
Weight . . . . . 136-205 kg  
Efficiency : . . . . . 75,9%

Clearance to Combustibles  
Sides . . . . . 500 mm  
Rear . . . . . 150 mm

The stove is fitted with outside air kit for rear flue exit



7600-SERIES 

7442



Height:  
7440 - 896 mm / 7442 / 7443 / 7448 - 997 mm / 7470 - 696 mm

Rated output . . . . . 5,7 kW  
Heat output range . . . . . 3-7 kW  
Heats up . . . . . 45-105 m<sup>2</sup>  
Chamber size . . . . . 33 cm  
Flue exit top/rear fits to . . . . . Ø150 mm  
Weight . . . . . 105-116 kg  
Efficiency : . . . . . 78,4%

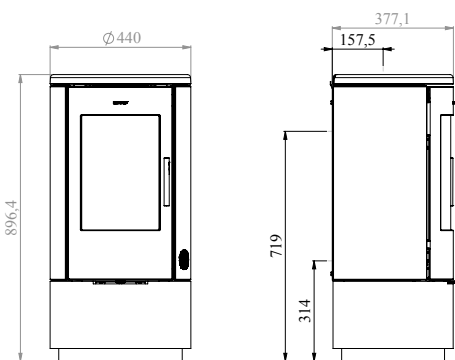
Clearance to Combustibles  
Sides . . . . . 450 mm  
Rear . . . . . 200 mm

Prepared for outside air kit for rear and bottom flue exit



7400-SERIES 

7340



Height:  
7340 - 896 mm / 7342 / 7343 / 7348 - 997 mm / 7370 - 696 mm

Rated output . . . . . 5,7 kW  
Heat output range . . . . . 3-7 kW  
Heats up . . . . . 45-105 m<sup>2</sup>  
Chamber size . . . . . 33 cm  
Flue exit top/rear fits to . . . . . Ø150 mm  
Weight . . . . . 105-116 kg  
Efficiency : . . . . . 78,4%

Clearance to Combustibles  
Sides . . . . . 400 mm  
Rear . . . . . 200 mm

Prepared for outside air kit for rear and bottom flue exit



7300-SERIES 

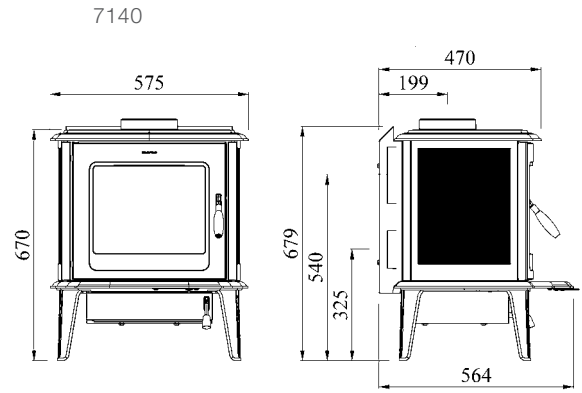
# 7100-SERIES



Rated output . . . . . 5,4 kW  
 Heat output range . . . . . 4-9 kW  
 Heats up . . . . . 60-135 m<sup>2</sup>  
 Chamber size . . . . . 40 cm  
 Flue exit top/rear fits to . . . . . Ø155 mm  
 Weight . . . . . 140 kg  
 Efficiency : . . . . . 75,5%

Clearance to Combustibles  
 Sides . . . . . 500 mm  
 Rear . . . . . 150 mm

Optional outside air kit



Height:  
 7110 / 7140 - 679 mm

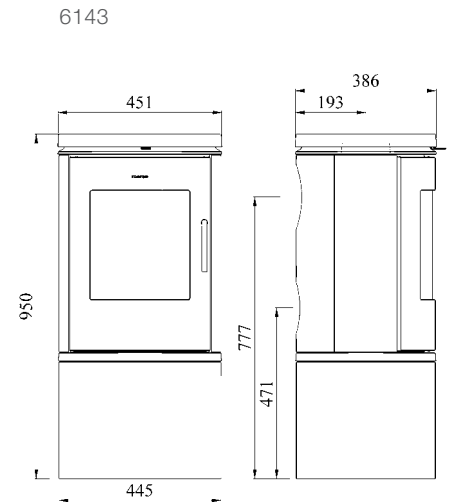
# 6100-SERIES



Rated output . . . . . 6 kW  
 Heat output range . . . . . 3-6 kW  
 Heats up . . . . . 45-90 m<sup>2</sup>  
 Chamber size . . . . . 33 cm  
 Flue exit top/rear fits to . . . . . Ø120 mm  
 Weight . . . . . 100-195 kg  
 Efficiency : . . . . . 80,1%

Clearance to Combustibles  
 Sides . . . . . 400 mm  
 Rear . . . . . 150 mm

Prepared for outside air kit for rear flue exit



Height:  
 6140 - 753 mm / 6143 -950 mm / 6148 -950 mm /  
 6170 - 630 mm / 6190 - 1103 mm

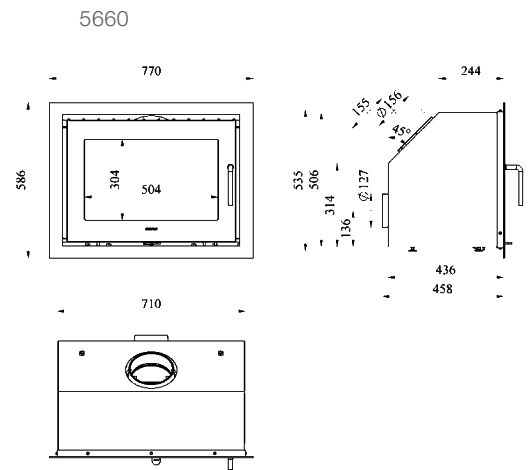
# 5660-SERIES

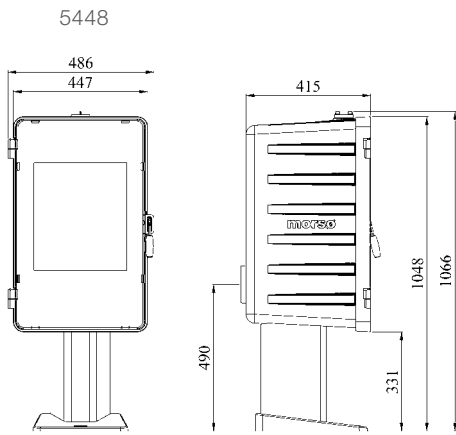


Rated output . . . . . 6,5 kW  
 Heat output range . . . . . 4-8 kW  
 Heats up . . . . . 60-120 m<sup>2</sup>  
 Chamber size . . . . . 58 cm  
 Flue exit top/rear fits to . . . . . Ø150 mm  
 Weight . . . . . 125 kg  
 Efficiency : . . . . . 75%

Clearance to Combustibles  
 Sides . . . . . 400 mm  
 Rear . . . . . 105 mm

Uninsulated  
 Optional outside air kit available





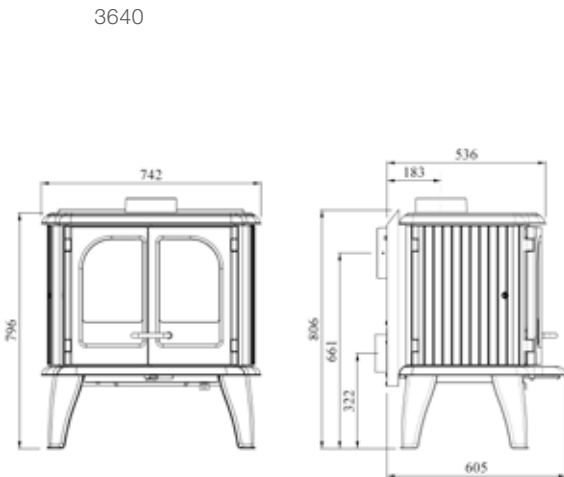
Rated output . . . . . 6,2 kW  
 Heat output range . . . . . 3-8 kW  
 Heats up . . . . . 45-120 m<sup>2</sup>  
 Chamber size . . . . . 30 cm  
 Flue exit top/rear fits to . . . . . Ø120 mm  
 Weight . . . . . 156 kg  
 Efficiency : . . . . . 81%

Clearance to Combustibles  
 Sides . . . . . 400 mm  
 Rear . . . . . 250 mm

The stove is fitted with outside air kit for rear flue exit



5400-SERIES



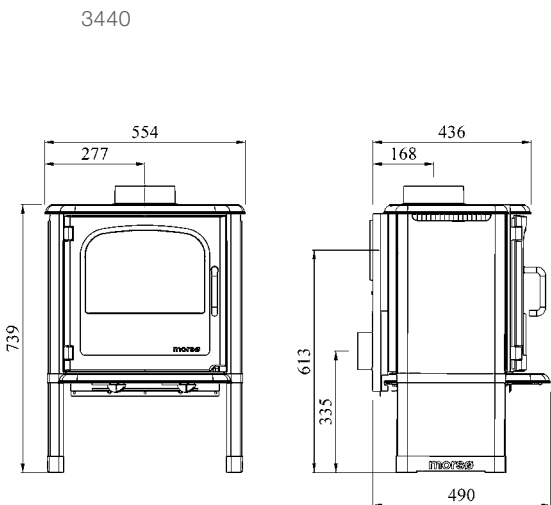
Rated output . . . . . 9 kW  
 Heat output range . . . . . 5-10 kW  
 Heats up . . . . . 100-210 m<sup>2</sup>  
 Chamber size . . . . . 58 cm  
 Flue exit top/rear fits to . . . . . Ø150 mm  
 Weight . . . . . 220 kg  
 Efficiency : . . . . . 75,6%

Clearance to Combustibles  
 Sides . . . . . 400 mm  
 Rear . . . . . 200 mm

Optional outside air kit



3640



Rated output . . . . . 6,5 kW  
 Heat output range . . . . . 4-7 kW  
 Heats up . . . . . 60-105 m<sup>2</sup>  
 Chamber size . . . . . 39 cm  
 Flue exit top/rear fits to . . . . . Ø120 mm  
 Weight . . . . . 116 kg  
 Efficiency : . . . . . 80,1%

Clearance to Combustibles  
 Sides . . . . . 350 mm  
 Rear . . . . . 350 mm

Air kit set for rear flue exit can be bought separately.



3440

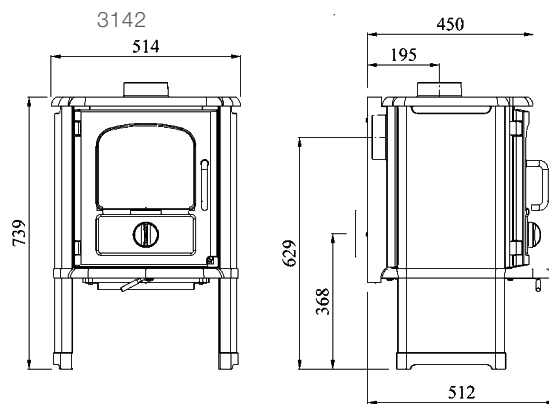
# 3142



Rated output . . . . . 5 kW  
 Heat output range . . . . . 3-6 kW  
 Heats up . . . . . 45-90 m<sup>2</sup>  
 Chamber size . . . . . 30 cm  
 Flue exit top/rear fits to . . . . . Ø120 mm  
 Weight . . . . . 113 kg  
 Efficiency : . . . . . 81%

Clearance to Combustibles  
 Sides . . . . . 400 mm  
 Rear . . . . . 200 mm

Air kit set for rear flue exit can be bought separately



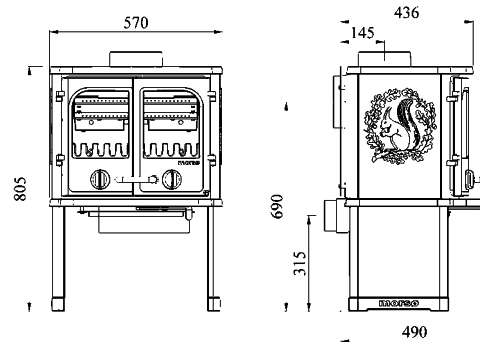
# 2100-SERIES



Rated output 2110 . . . . . 8 kW  
 Rated output 2140 . . . . . 6 kW  
 Heat output range . . . . . 4-8 kW  
 Heats up 2110 . . . . . 60-150 m<sup>2</sup>  
 Heats up 2140 . . . . . 60-120 m<sup>2</sup>  
 Chamber size . . . . . 42 cm  
 Flue exit top/rear fits to . . . . . Ø150 mm  
 Weight . . . . . 113-140 kg  
 Efficiency : . . . . . 72-76%

Clearance to Combustibles  
 Sides . . . . . 400 mm  
 Rear . . . . . 200 mm

2140



Height:  
 2110 / 2140 -805 mm

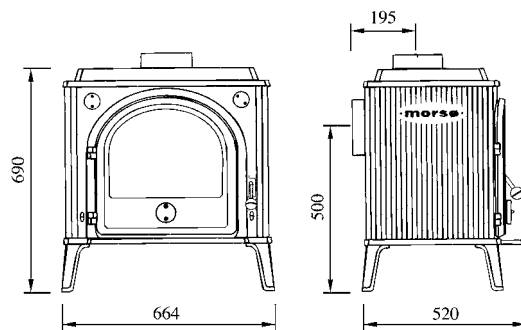
# 1630



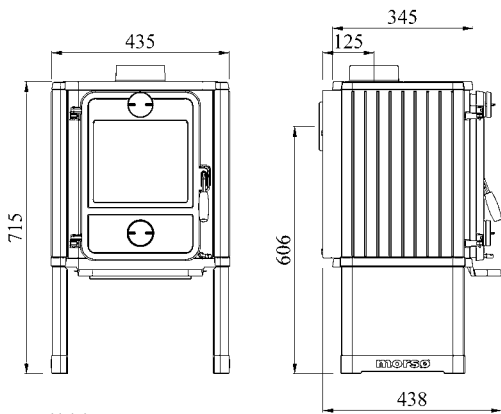
Rated output . . . . . 10,5 kW  
 Heat output range . . . . . 7-11 kW  
 Heats up . . . . . 100-160 m<sup>2</sup>  
 Chamber size . . . . . 58 cm  
 Flue exit top/rear fits to . . . . . Ø150 mm  
 Weight . . . . . 135 kg  
 Efficiency : . . . . . 74%

Clearance to Combustibles  
 Sides . . . . . 550 mm  
 Rear . . . . . 800 mm

1630



1442 rib side



Height:

1412 / 1416-703 mm / 1442-715 mm / 1446-715 mm 1452-785 mm

Rated output . . . . . 5 kW  
 Heat output range . . . . . 3-5 kW  
 Heats up . . . . . 45-75 m<sup>2</sup>  
 Chamber size . . . . . 31 cm  
 Flue exit top/rear fits to . . . . . Ø120 mm  
 Weight . . . . . 70-208 kg  
 Efficiency : . . . . . 76%

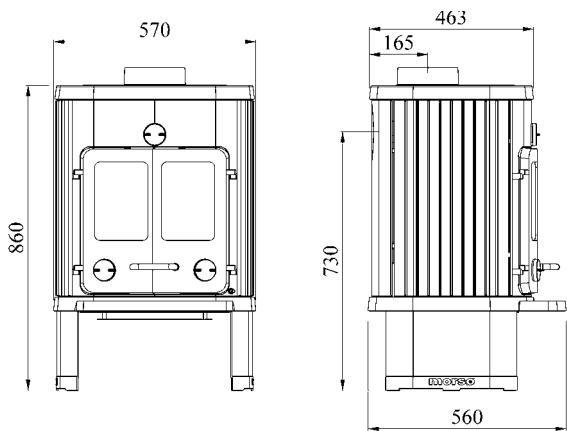
Clearance to Combustibles

Sides . . . . . 300 mm  
 Rear . . . . . 200 - 600 mm



1400-SERIES

1126



Rated output . . . . . 8 kW  
 Heat output range . . . . . 5-10 kW  
 Heats up . . . . . 75-150 m<sup>2</sup>  
 Chamber size . . . . . 38 cm  
 Flue exit top/rear fits to . . . . . Ø150 mm  
 Weight . . . . . 140 kg  
 Efficiency : . . . . . 80,7%

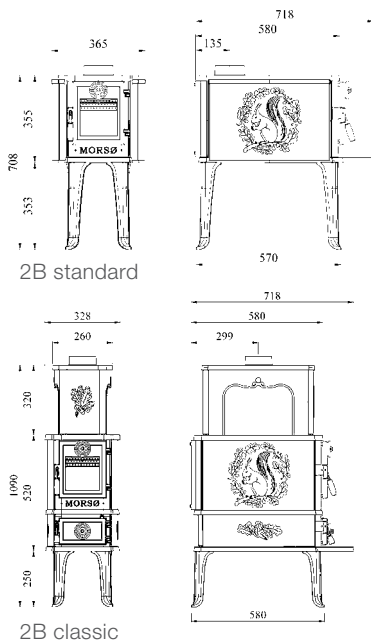
Clearance to Combustibles

Sides . . . . . 400 mm  
 Rear . . . . . 300 mm

Optional outside air kit



1126



2B Standard / 2B Classic

Rated output standard . . . . . 5 / 8 kW  
 Heat output range . . . . . 3-6 / 3-10 kW  
 Heats up . . . . . 45-90 / 90-150 m<sup>2</sup>  
 Chamber size . . . . . 45 cm  
 Flue exit top/rear fits to . . . . . Ø120 mm  
 Weight . . . . . 76 / 125 kg  
 Efficiency : . . . . . 60,9 / 75,2%

Clearance to Combustibles

Sides . . . . . 400 / 850 mm  
 Rear . . . . . 300 / 400 mm



2B-SERIES

S10-SERIES



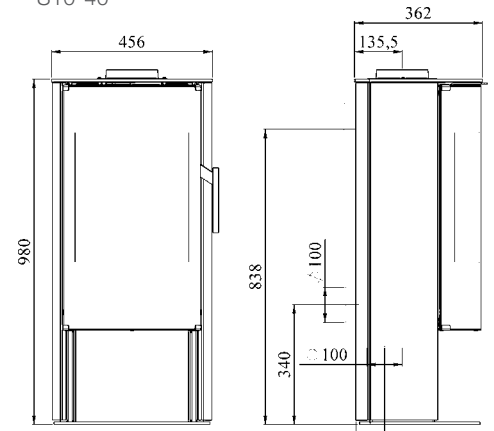
Rated output . . . . . 5 kW  
 Heat output range . . . . . 3-7 kW  
 Heats up . . . . . 45-105 m<sup>2</sup>  
 Chamber size . . . . . 34 cm  
 Flue exit top/rear fits to . . . . . Ø120 mm  
 Weight . . . . . 98-155 kg  
 Efficiency : . . . . . 78,4%

Clearance to Combustibles

Sides . . . . . 400 mm  
 Rear . . . . . 200 mm

Outside air is possible both from the rear and from the base of the stove.

S10-40



Height:

S10-40 - 980 mm / S10-45 - 1012 mm / S10-70 - 735 mm

S11-SERIES



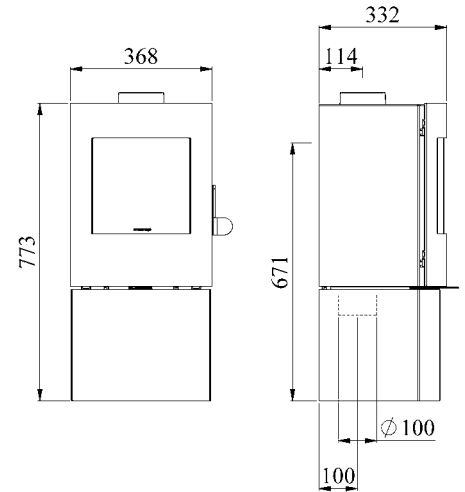
Rated output . . . . . 4 kW  
 Heat output range . . . . . 2-5 kW  
 Heats up . . . . . 30-75 m<sup>2</sup>  
 Chamber size . . . . . 27 cm  
 Flue exit top/rear fits to . . . . . Ø120 mm  
 Weight . . . . . 70 kg  
 Efficiency : . . . . . 83%

Clearance to Combustibles

Sides . . . . . 300 mm  
 Rear . . . . . 150 mm

Outside air is possible both from the rear and from the base of the stove.

S11-43



Height:

S11-43 - 773 mm / S11-70 - 533 mm / S11-90 - 883 mm

S50-40



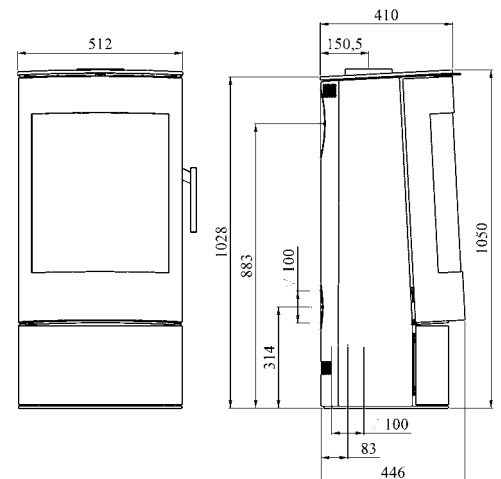
Rated output . . . . . 8 kW  
 Heat output range . . . . . 5-9 kW  
 Heats up . . . . . 75-135 m<sup>2</sup>  
 Chamber size . . . . . 35 cm  
 Flue exit top/rear fits to . . . . . Ø150 mm  
 Weight . . . . . 120 kg  
 Efficiency : . . . . . 78,3%

Clearance to Combustibles

Sides . . . . . 500 mm  
 Rear . . . . . 300 mm

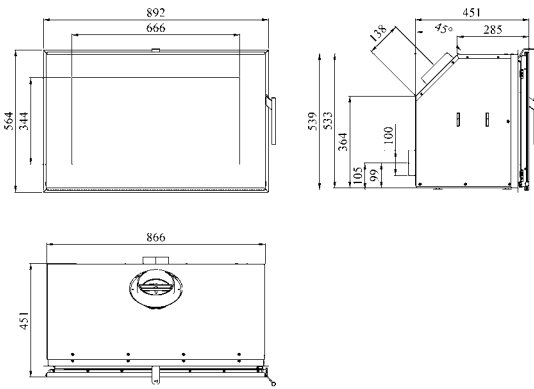
Outside air is possible both from the rear and from the base of the stove.

S50-40





S80-90



Rated output . . . . . 9 kW  
 Heat output range . . . . . 5-9 kW  
 Heats up . . . . . 75-135 m<sup>2</sup>  
 Chamber size . . . . . 67 cm  
 Flue exit top/rear fits to . . . . . Ø150 mm  
 Weight . . . . . 120 kg  
 Efficiency : . . . . . 76,7%

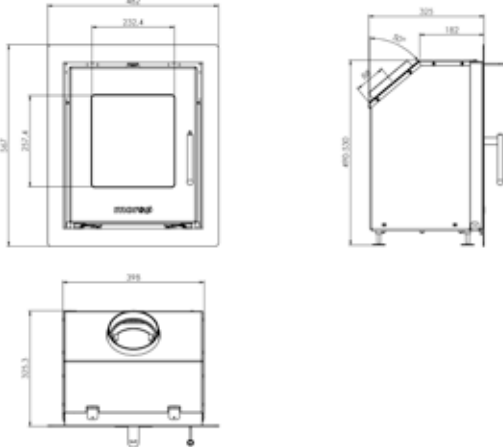


S80-90  


Clearance to Combustibles  
 Sides . . . . . 400 mm  
 Rear . . . . . 200 mm  
 To the floor . . . . . 300 mm

Outside air is possible from the rear of the stove.

S81



Rated output . . . . . 4 kW  
 Heat output range . . . . . 2-5 kW  
 Heats up . . . . . 30-75 m<sup>2</sup>  
 Chamber size . . . . . 27 cm  
 Flue exit top/rear fits to . . . . . Ø125 mm  
 Weight . . . . . 57 kg  
 Efficiency : . . . . . 88%

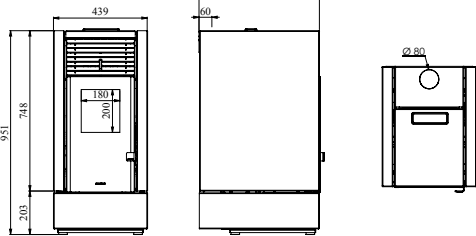


S81  


Clearance to Combustibles  
 Sides . . . . . 225 mm  
 Rear . . . . . 100 mm

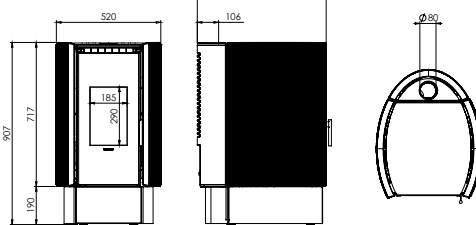
Height:  
 7440 - 896 mm / 7442 / 7443 / 7448 - 997 mm / 7470 - 696 mm

P30



Depth:  
 P30 - 561,5 mm / P31 - 457 mm

P50



Depth:  
 P50 - 641,5 mm / P51 - 501 mm

P30/31 & P50/51

Rated output . . . . . 7 kW  
 Reduced output . . . . . 2,5 kW  
 Efficiency . . . . . 82,5 - 85 / 88%  
 Heat up. . . . . 35-120 m<sup>2</sup>  
 Smoke draught, minimum (Pa.) . . . . . 10  
 Fuel, Wood pellets, dia . . . . . 6 mm  
 Power consumption (W)  
 During operation - max . . . . . 100 mm  
 Distance to combust. mat., side. 200 / 100 mm  
 Distance to combust. mat., rear. 200 / 25 mm

To fit a top flue exit properly the depth of P30 is increased by 10 cm.



P30/31 - P50/51

# ORIGINAL ACCESSORIES

It's not just the wood-burning stove itself that emits the special atmosphere of warmth and comfort in your home.



CURVA FELT BASKET

## CURVA

With "CURVA", Morsø has created a functional and aesthetically beautiful piece that encompasses all the fire tools in such a way that each product in the series has its own function, and nothing is superfluous.



CURVA FIRE TOOLS



CURVA POKER



MORSØ FIREWOOD BUCKET  
LARGE & SMALL



MORSØ MOISTURE METER



FIREPLACE TOOL SET COMPLETE



MORSØ FLUE GAS THERMOMETER



MORSØ CAST IRON HUMIDIFIER



MORSØ FIRE TOOLS CLASSIC



MORSØ FIREWOOD BOX



MORSØ CANVAS WOOD CARRIER



MORSØ ASH AND STORAGE BUCKET

# ORIGINAL ACCESSORIES



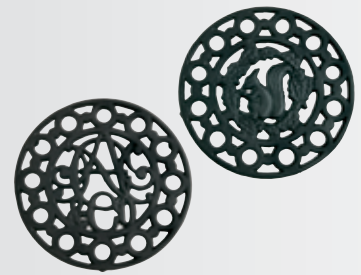
**MORSØ MINI STOVE**

The Morsø Mini Stove 2B Classic is made from the same high-quality cast iron and with the same impeccable craftsmanship as a regular Morsø stove.



**MORSØ LEATHER GLOVE**

This protective glove is made of thick leather. The gloves are available for both left and right hand.

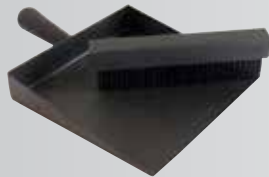


**MORSØ CAST IRON TRIVET**



**LOOP LOG RING & FIREPLACE TOOL SET**

The Morsø loop Log Ring incorporates a soft rubber handle for carrying comfort and a soft rubber mat tray.



**MORSØ DUSTPAN & BROOM**



**ASSEMBLY AND MAINTENANCE**

Morsø advice you to use only genuine Morsø materials for installation and regular maintenance.

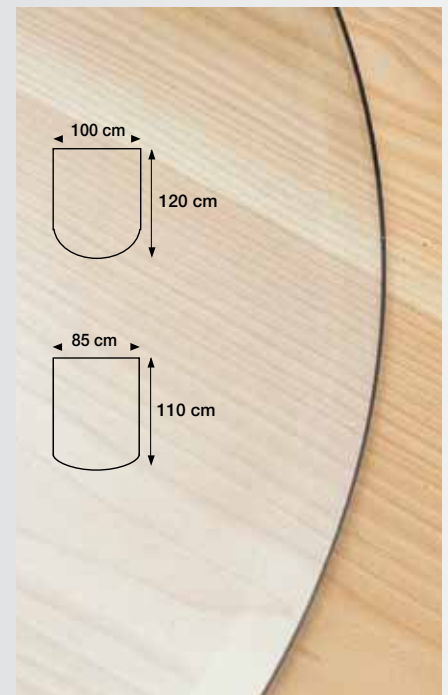
**MORSØ CHILDGUARD**



**MORSØ SINUS MULTIBAKET**

Sinus is novel design when it comes to firewood baskets. The innovative choice of material gives it a warm and fascinating expression.

**MORSØ HEARTH PLATES**



MORSØ FORNO

Interior  
innovation  
award  
2013

Winner



**MORSØ FORNO** is the outdoor oven that creates a cozy atmosphere on your terrace and it lets you create crisp pizzas and perfect bread in just a few minutes.

Using the Morsø Tuscan Grill as a coal insert, delicious steaks and vegetables can be prepared with well-defined Grill marks.

And the latest addition for the Forno, a separate stainless steel door is now available, that, when fitted on the Morsø Forno, makes both slow cooking, baking, and smoking possible.

MORSØ FORNO OUTDOOR



TUSCAN GRILL



MORSØ FORNO DOOR



R TABLE



• PIZZA PEEL



• ASH SCRAPER



• FIRE TONGS

• MORSØ GRILLFORNO



The Morsø Grill Forno is made from a solid enameled cast iron that gives unsurpassed advantages in connection with grilling.

A coal insert and a grill grate both made from cast iron come with the Grill Forno. The special surface of the grill grate has innumerable small pores that absorb the fat and flavourings from the meat. A unique feature which ensures that the meat is grilled in its own juices.



• MORSØ GRILL FORNO DOOR



• MORSØ OUTDOOR FIREPIT



• MORSØ BEL - BIOETHANOL LAMP



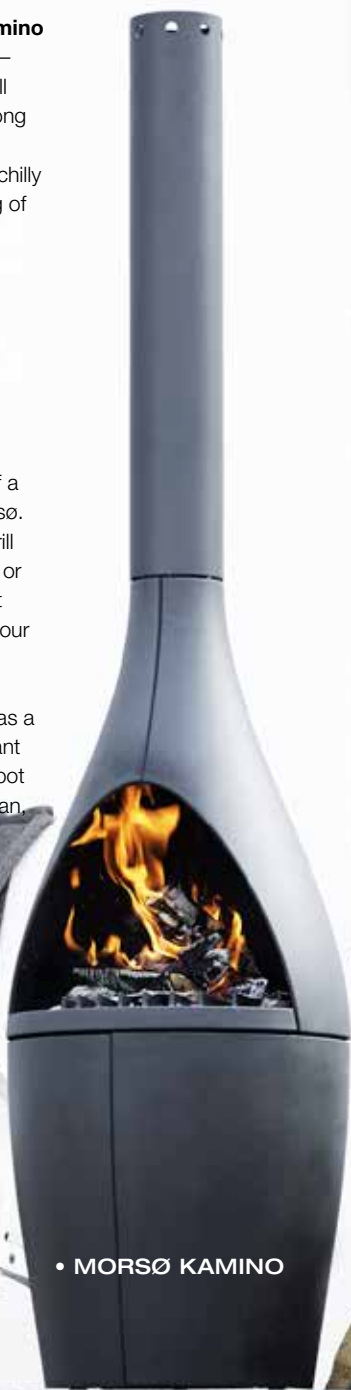
The outdoor fireplace **Morsø Kamino** is shaped from cast iron and can – besides decorating and heating all outdoor surroundings – also prolong the outdoor experience – from early spring months, through the chilly summer nights until the beginning of autumn.



**Morsø GrillCocotte**

The designer Klaus Rath had created an innovative composition of a grill pan, pot, and roaster for Morsø. The set consists of a pot and a grill pan that can be used individually, or the two elements used in different configuration giving no less than four functions.

Turn over the Grill pan and use it as a lid for the pot, producing an elegant roaster. Alternatively flip over the pot and it becomes a lid for the grill pan, making a perfect resting pan for steak or roast



• MORSØ KAMINO



• MORSØ GRILLCOCOTTE



[www.morsoe.com](http://www.morsoe.com)